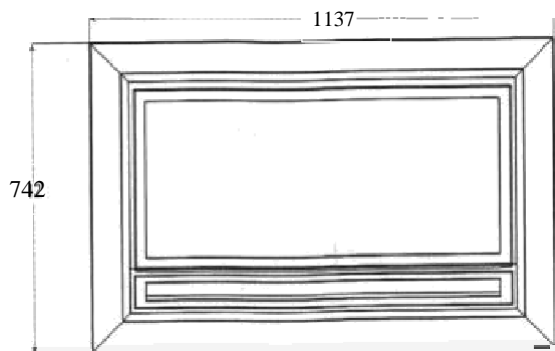
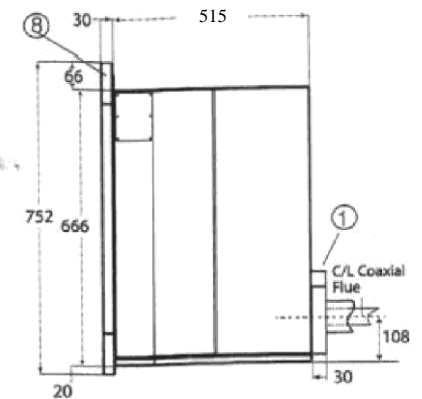
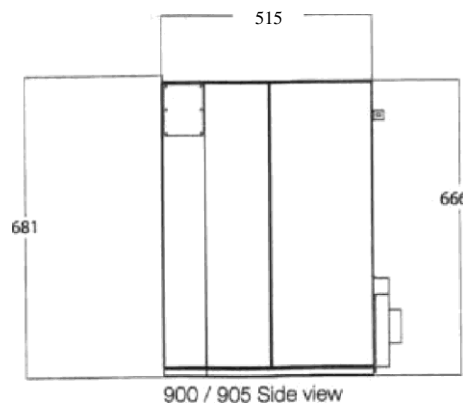
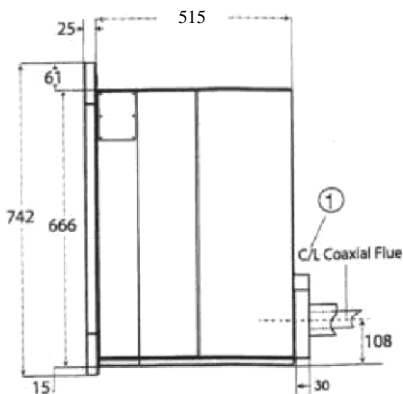
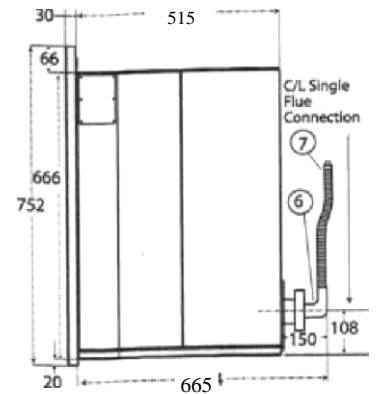
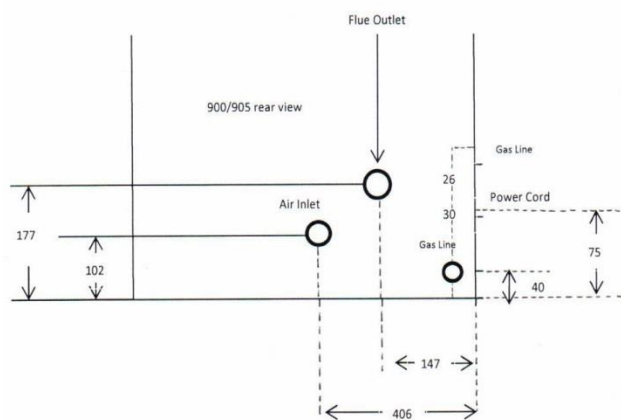
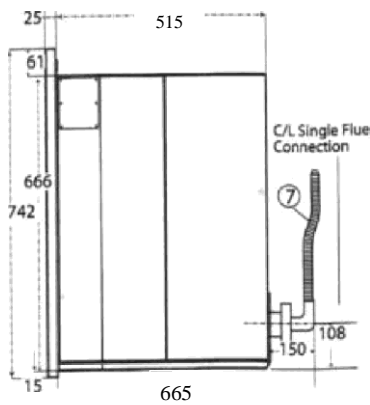
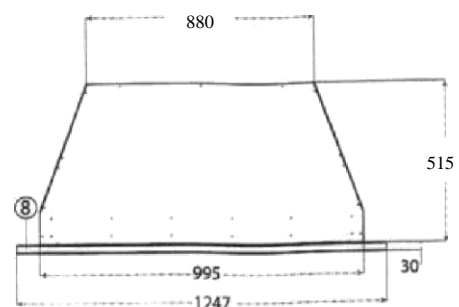
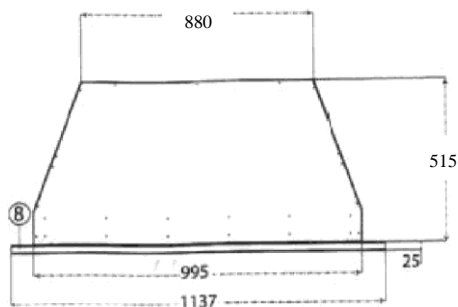
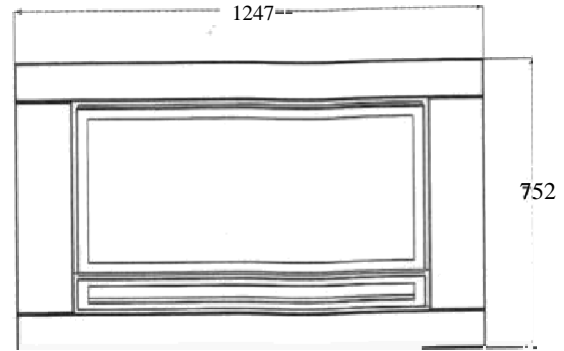


IS 900/905 Specifications:

IS 900 Charcoal



IS 905 All Stainless Steel



SPECIFICATION KEYS:

- ① Flue Outlet Co-axial (outside 65mm, inside 40mm) single flu 40mm Ø. Flex Flu 40mm Ø
- ② Air Inlet
- ③ Electric Cord
- ④ 3 1/2 " BSP Connection (inside)
- ⑤ 90/40mm PVC Elbow
- ⑥ Flexible PVC Pipe
- ⑦ Heater Surround.